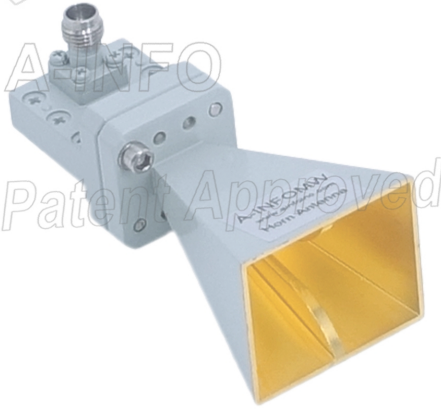


For reference only. See data sheet for the detailed specifications.

Technical Specification



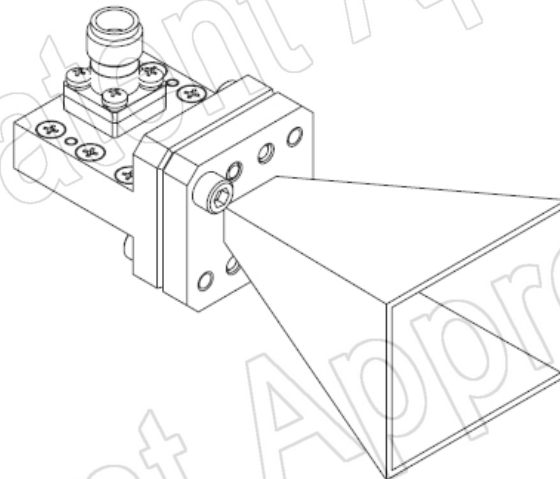
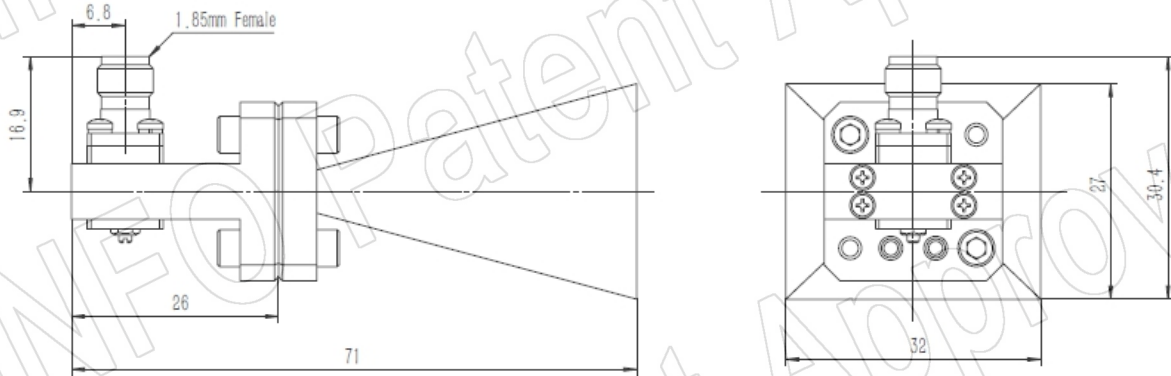
Frequency Range(GHz)	18.0 – 55.0
Gain(dBi)	15 Typ.
Polarization	Linear
3dB Beamwidth(deg)	E Plane: 44 - 20
	H Plane: 49 - 15
Cross Pol. Isolation(dB)	40 Typ.
VSWR	1.5:1 Typ.
	2.0:1 Max.
Connector	1.85mm-Female
Power Handling(W CW)	5 Max.
Material	Cu
Finish	Gold Plated, Gray Paint
Size(mm)	32 x 30.4 x 71
Net Weight(Kg)	0.10 Around

PATENT ID (China)

ZL201630454584.X

Outline Drawing (Size: mm)

1.85mm-Female Output (P/N: LB-180550-1.85F)



AINFO Inc.

China(Beijing):
China(Chengdu):
USA :

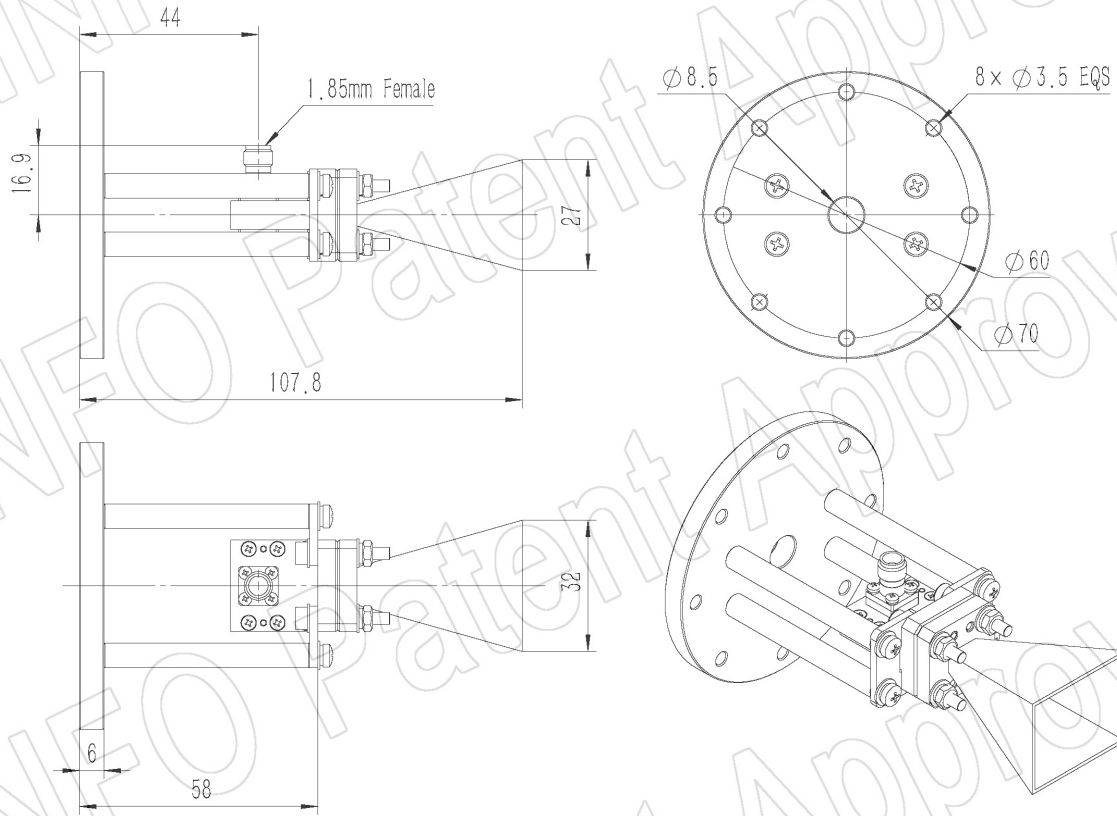
Tel: (+86) 10-6266-7326,
Tel: (+86) 28-8519-2786,
Tel: (+1) 949-639-9688,

(+86) 10-6266-7327
(+86) 28-8519-3044
(+1) 949-639-9608

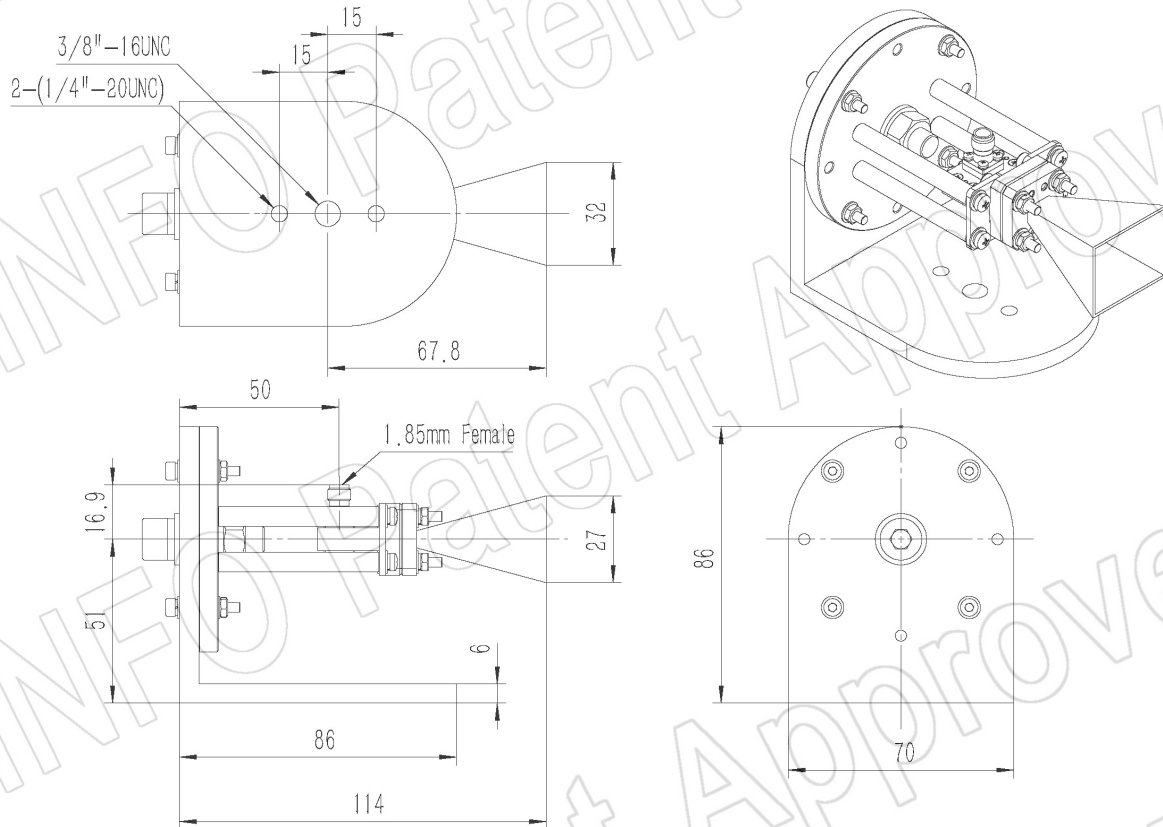
Fax: (+86) 10-6266-7379
Fax: (+86) 28-8519-3068
Fax: (+1) 949-639-9670

Website: www.ainfoinc.com
Email: sales@ainfoinc.com

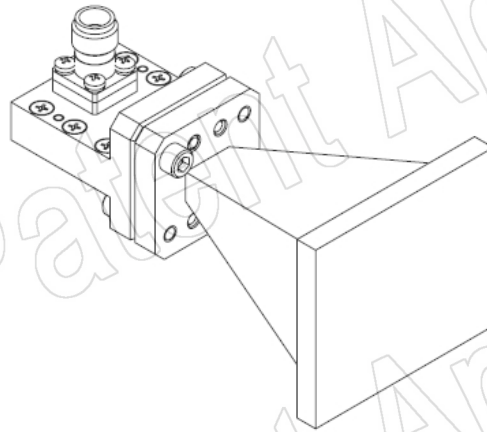
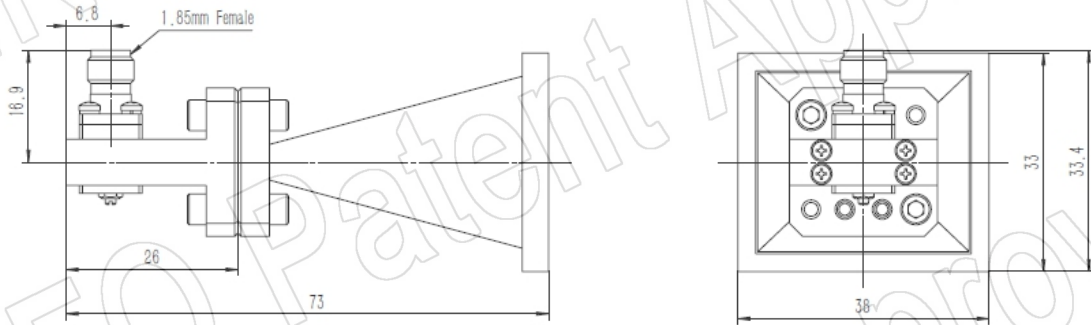
1.85mm-Female Output with Round Mounting Bracket (Option, P/N: LB-180400-10-C-MB)



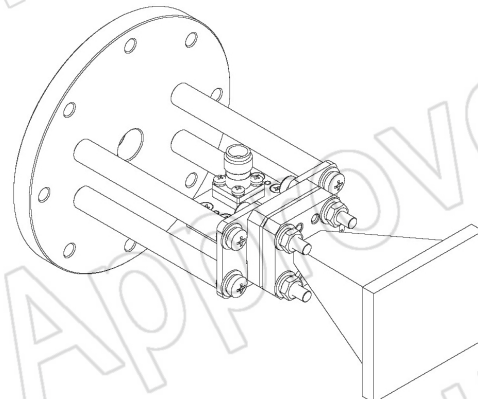
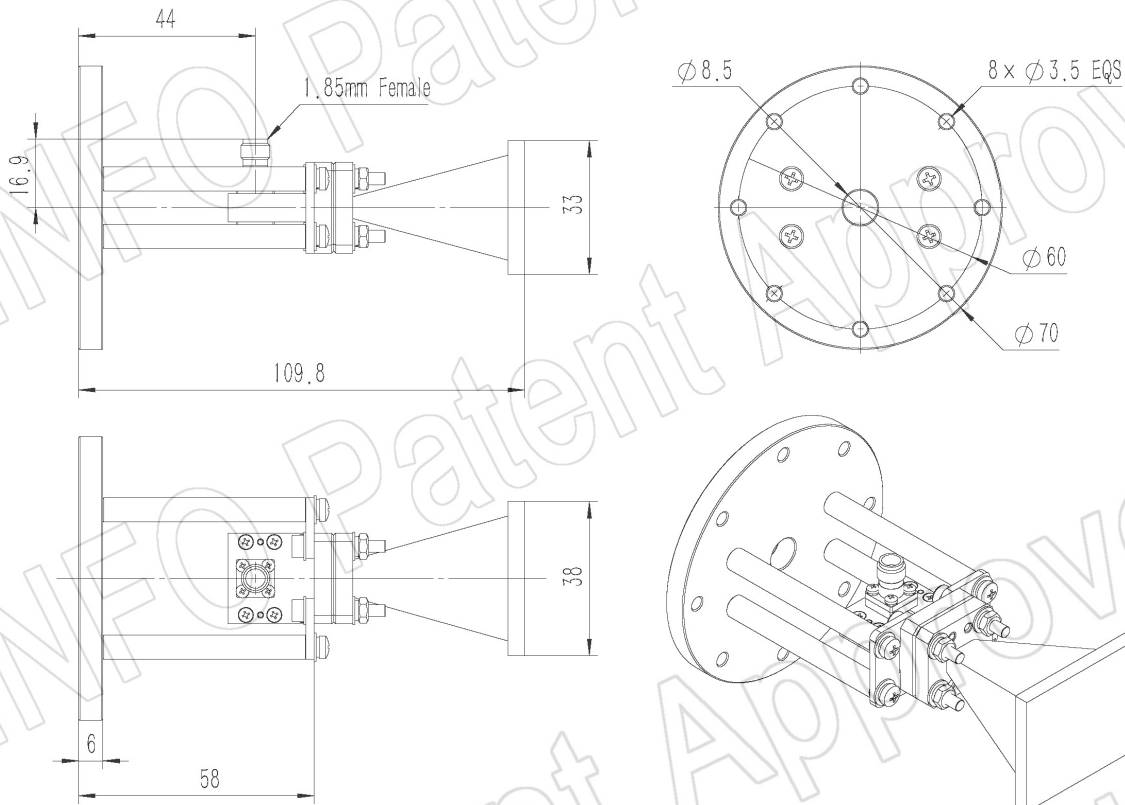
1.85mm-Female Output with L Type Mounting Bracket (Option, P/N: LB-180400-10-C-MBL)



1.85mm-Female Output with Radome (Option, P/N: LB-180550-1.85FSP0, Outdoor Application)

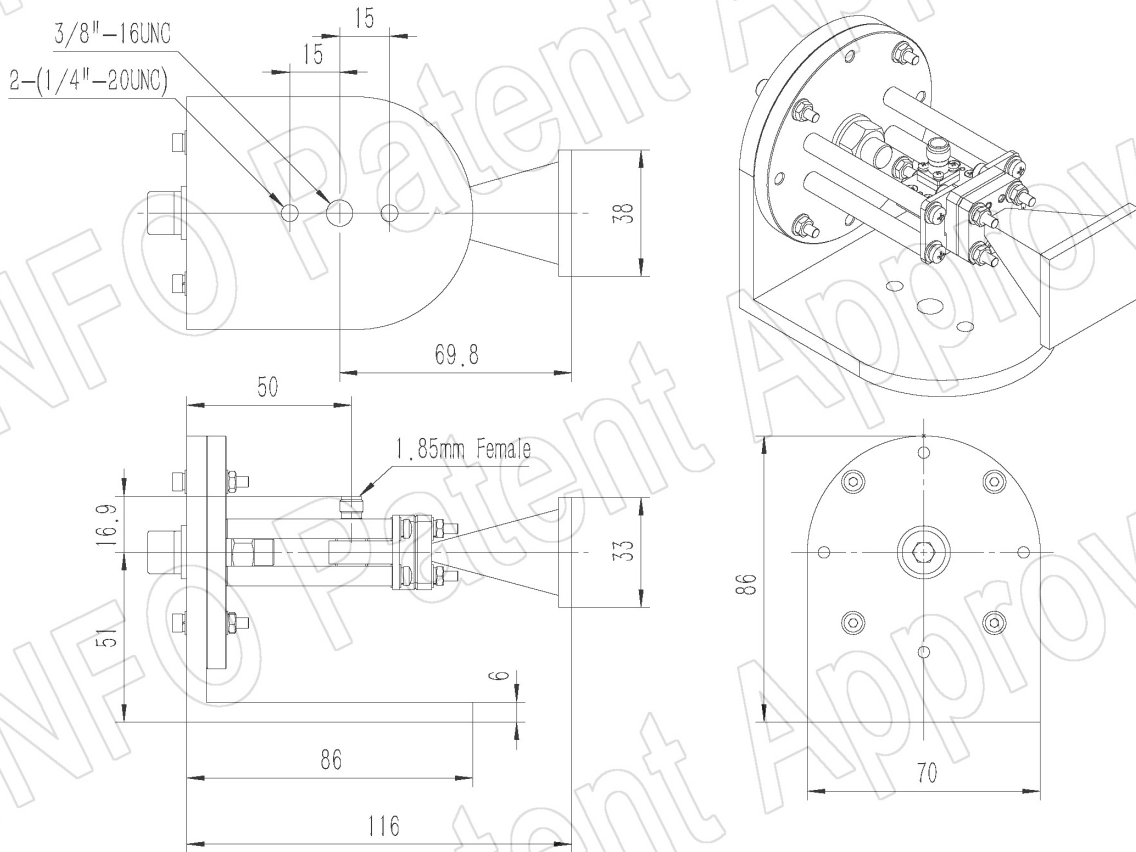


1.85mm-Female Output with Round Mounting Bracket & Radome (Option, P/N: LB-180400-10-C-MB & LB-180550-1.85FSP0, Outdoor Application)



1.85mm-Female Output with L Type Mounting Bracket & Radome (Option, P/N: LB-180400-10-C-MBL & LB-180550-1.85FSP0, Outdoor Application)

For 2.4mm-Female output outline drawing, please contact A-INFO.



AINFO Inc.

China(Beijing):
China(Chengdu):
USA :

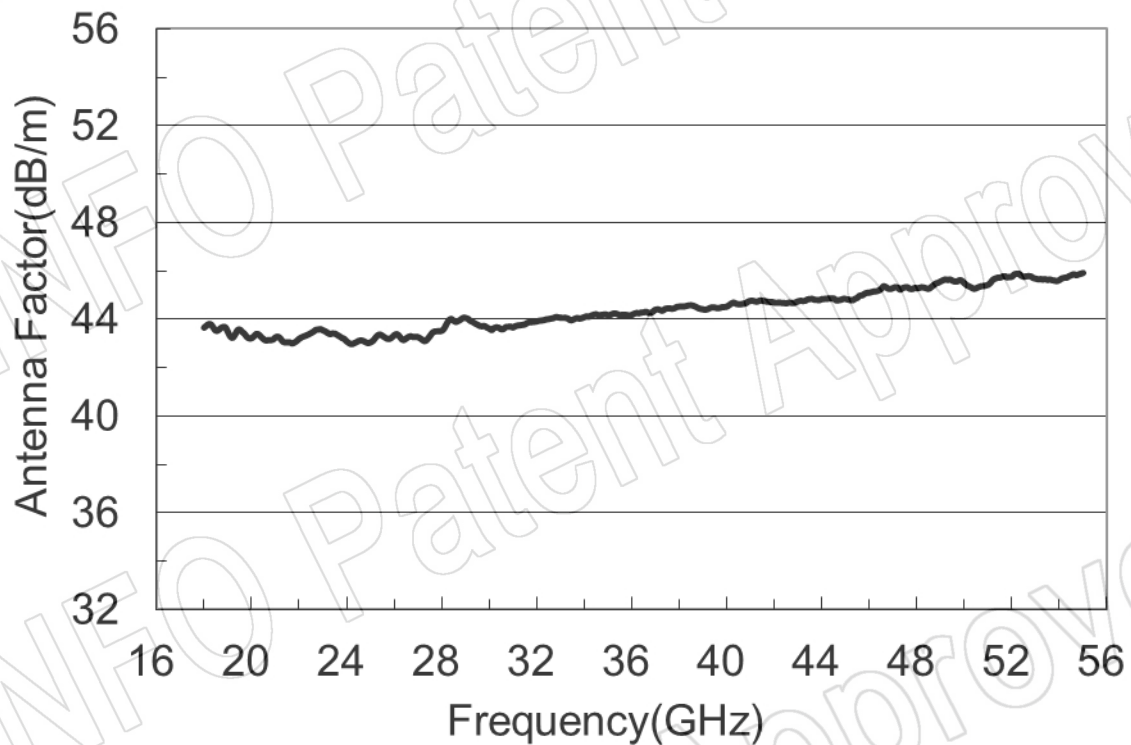
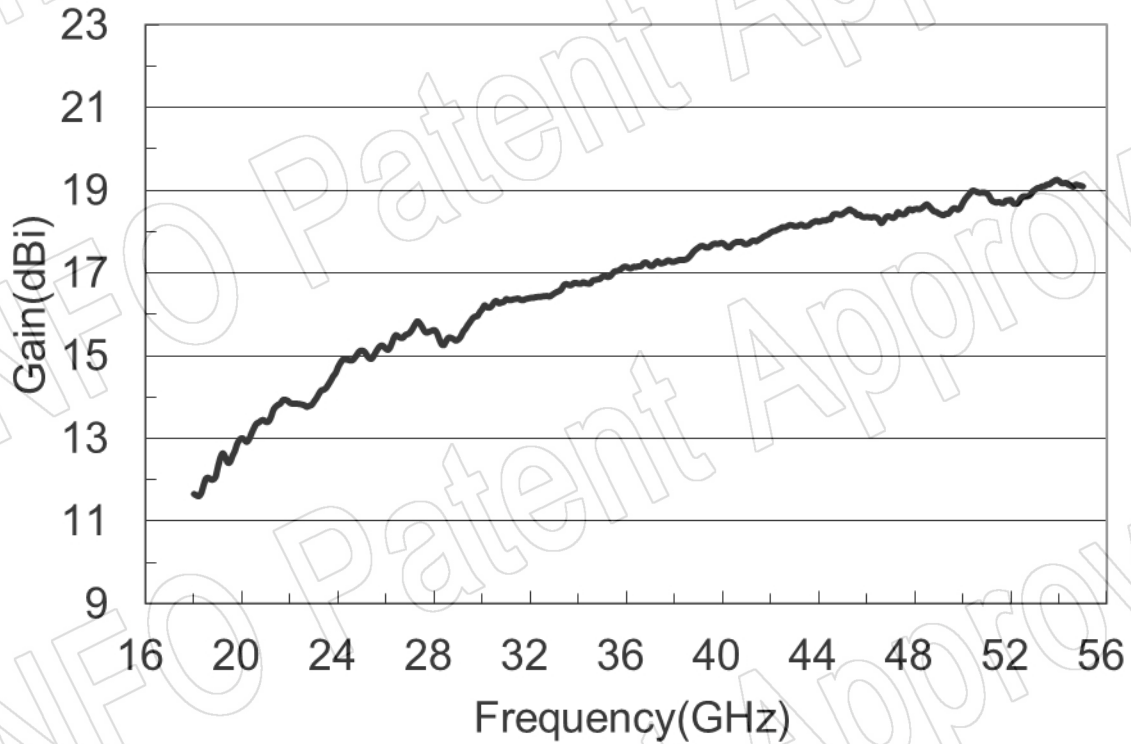
Tel: (+86) 10-6266-7326,
Tel: (+86) 28-8519-2786,
Tel: (+1) 949-639-9688,

(+86) 10-6266-7327
(+86) 28-8519-3044
(+1) 949-639-9608

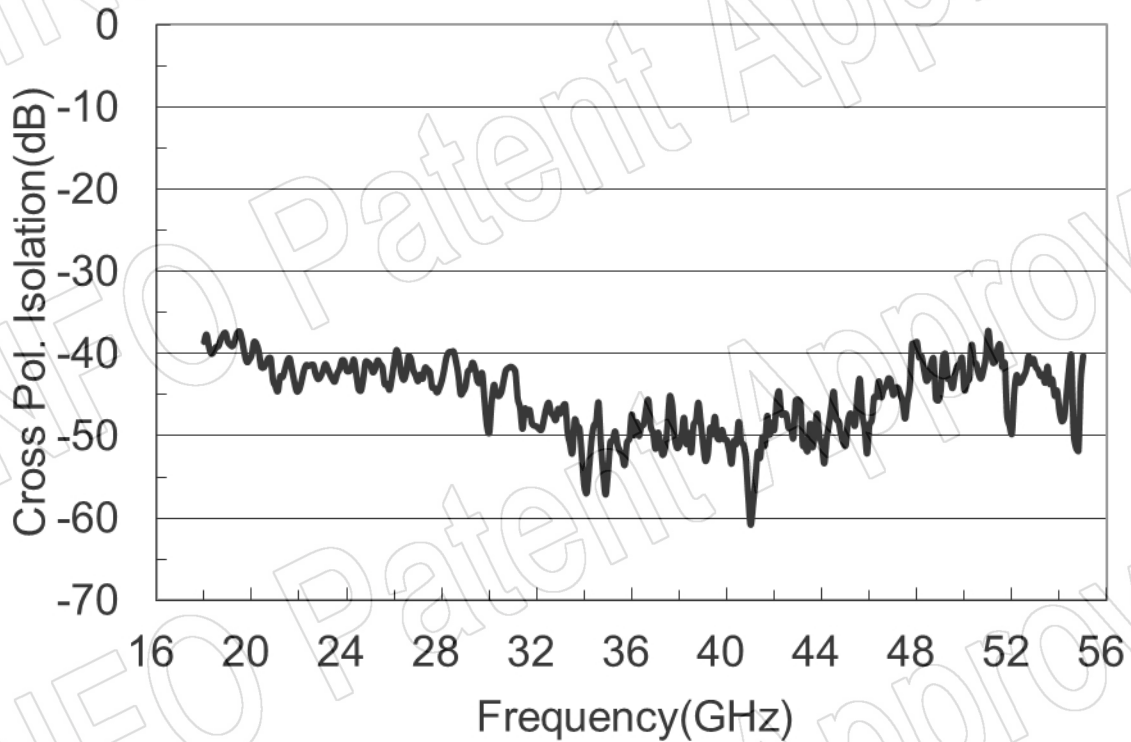
Fax: (+86) 10-6266-7379
Fax: (+86) 28-8519-3068
Fax: (+1) 949-639-9670

Test Results

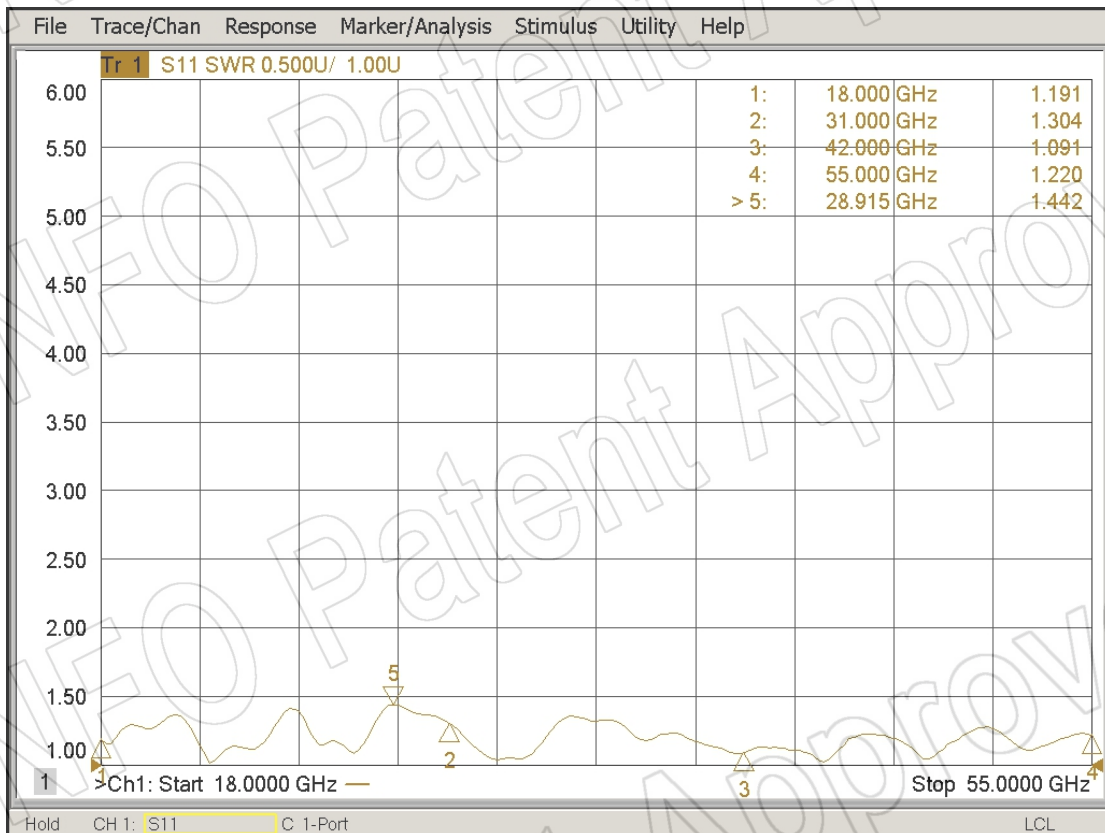
1. Gain & Antenna Factor



2. Cross Polarization Isolation



3. VSWR



4. Pattern

